



# Heliport Inset Bidirectional Light

**AH-HP-C**

Heliport Inset bidirectional light is always be installed at locations where the lights are frequently knocked down by aircraft or maintenance vehicles.

It could be used as Center Line Light, Runway Threshold/End Light, Runway Edge Lighting etc. The emitting color is green/green or yellow/red or yellow/green or red/green.

## Compliance

- ICAO Annex 14 Volume II Heliports 5.3.
- FAA AC 150/5390-2B Heliport Design Guide

## Features

### Electrical

- LED as light source saving power consumption and maintenance, 95% less power than equivalent incandescent light
- Power supply available in AC(110-240VAC), DC48V

### Physical

- Pressure resistance lens allowed the vehicles go through on light
- Die-casting aluminum covered by black hard anodizing layer have good corrosion protection and load bearing
- IP68 waterproof ensure light work fine underground
- Emitting light in two opposite sides

### Optional

- Infrared LED for pilot using NVG(Night Vision Goggles)
- Controller for power supplying and turn ON/OFF light
- VHF pilot to ground remote control
- Marine treated

## Application

- Helipad/Heliport Runway
- Heliport Taxiway



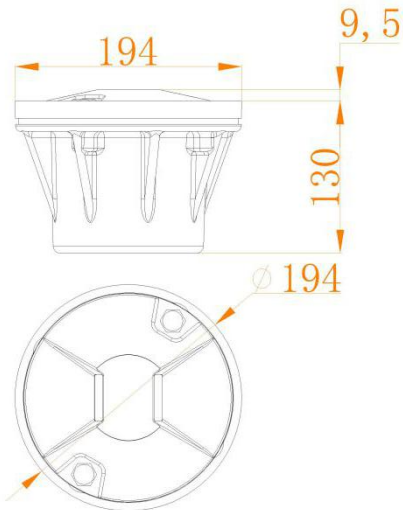
## APPLICATION



# Heliport Inset Bidirectional Light

## AH-HP-C

### Dimension



### SPECIFICATIONS

### AH-HP-C Heliport Inset Bidirectional Light

#### Light Characteristics

Light Source  
 Available Colors  
 Flash Characteristics  
 Operation Mode  
 LED Life Experience(hours)

CREE Ultra high intensity LED  
 Green/Green, White/Yellow, Green/Red or others  
 Steady burning  
 24hours operation  
 >100,000

#### Electrical Characteristics

Operating Voltage  
 Power(W)

110-240VAC, 48VDC, 24VDC or others  
 7

#### Physical Characteristics

Body Material  
 Base Material  
 Overall size(mm)  
 Installation size(mm)  
 Weight(kg)  
 Product Life Expectancy

Anodized Die-casting aluminum  
 Painted aluminum  
 194×194×138  
 199×199×146  
 4.5  
 Average 5 years

#### Environmental Factors

Ambient Temperature(°C)  
 Humidity  
 Wind Speed  
 Waterproof

-55~70  
 0~100%  
 80m/s  
 IP68

#### Compliance

ICAO

ICAO Annex 14 Volume II Heliports 5.3

#### Options Available

Infrared LED compatible for NVG (Night Vision Goggles)  
 VHF pilot to ground remote control